

NKX17-XL

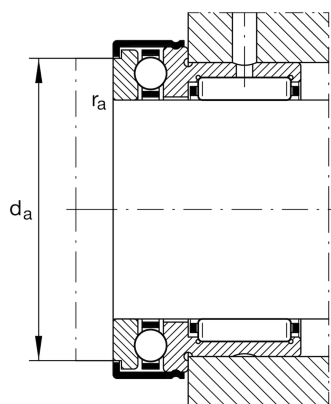
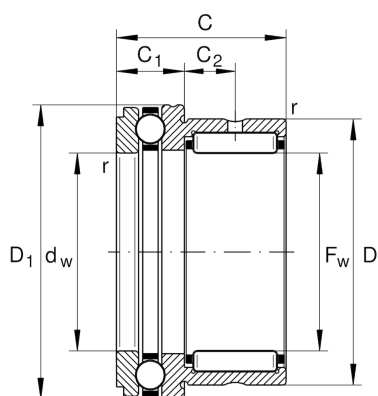
Needle roller/axial ball bearing

Schaeffler ID:
0506047400000

Needle roller/axial ball bearings NKX, axial component, single direction, to DIN 5429, without end cap, for oil lubrication

X-life

Technical information



Main Dimensions & Performance Data

F_w	17 mm	Bore diameter
D	26 mm	Outside diameter
C	25 mm	Height
C_r	13,500 N	Basic dynamic load rating, radial
C_{0r}	15,000 N	Basic static load rating, radial
C_a	10,800 N	Basic dynamic load rating, axial
C_{0a}	18,200 N	Basic static load rating, axial
C_{ur}	2,800 N	Fatigue load limit, radial
C_{ua}	900 N	Fatigue load limit, axial
n_G	8,500 1/min	Limiting speed
	50.87 g	Weight

Dimensions

$D_{1\max}$	30.1 mm	Maximum outside diameter flange
	IR14X17X17-XL	Suitable inner rings IR
$D_{2\max}$	30.1 mm	Maximum outside diameter flange
C_1	9 mm	Width of the axial bearing component
C_1	8 mm	Distance to lubrication hole
C_2	8 mm	Distance to lubrication hole
d_w	17 mm	Bore diameter of shaft washer
r_{\min}	0.3 mm	Minimum chamfer dimension

Mounting dimensions

d_a	25.7 mm	Mounting dimension shaft shoulder
$r_{a\max}$	0.3 mm	Maximum recess radius

Temperature range

T_{\min}	-30 °C	Operating temperature min.
T_{\max}	120 °C	Operating temperature max.